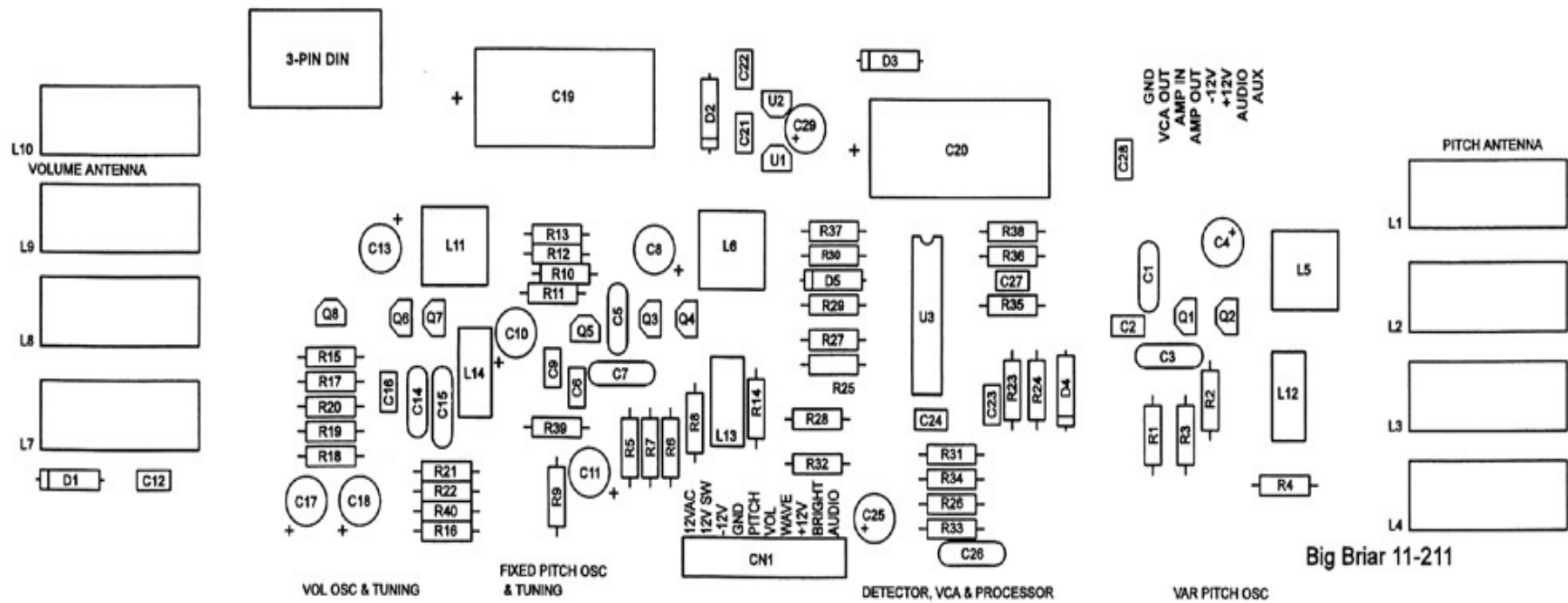


*Etherwave Block Diagram*



Big Briar 11-211

Component Layout of Etherwave Circuit Board

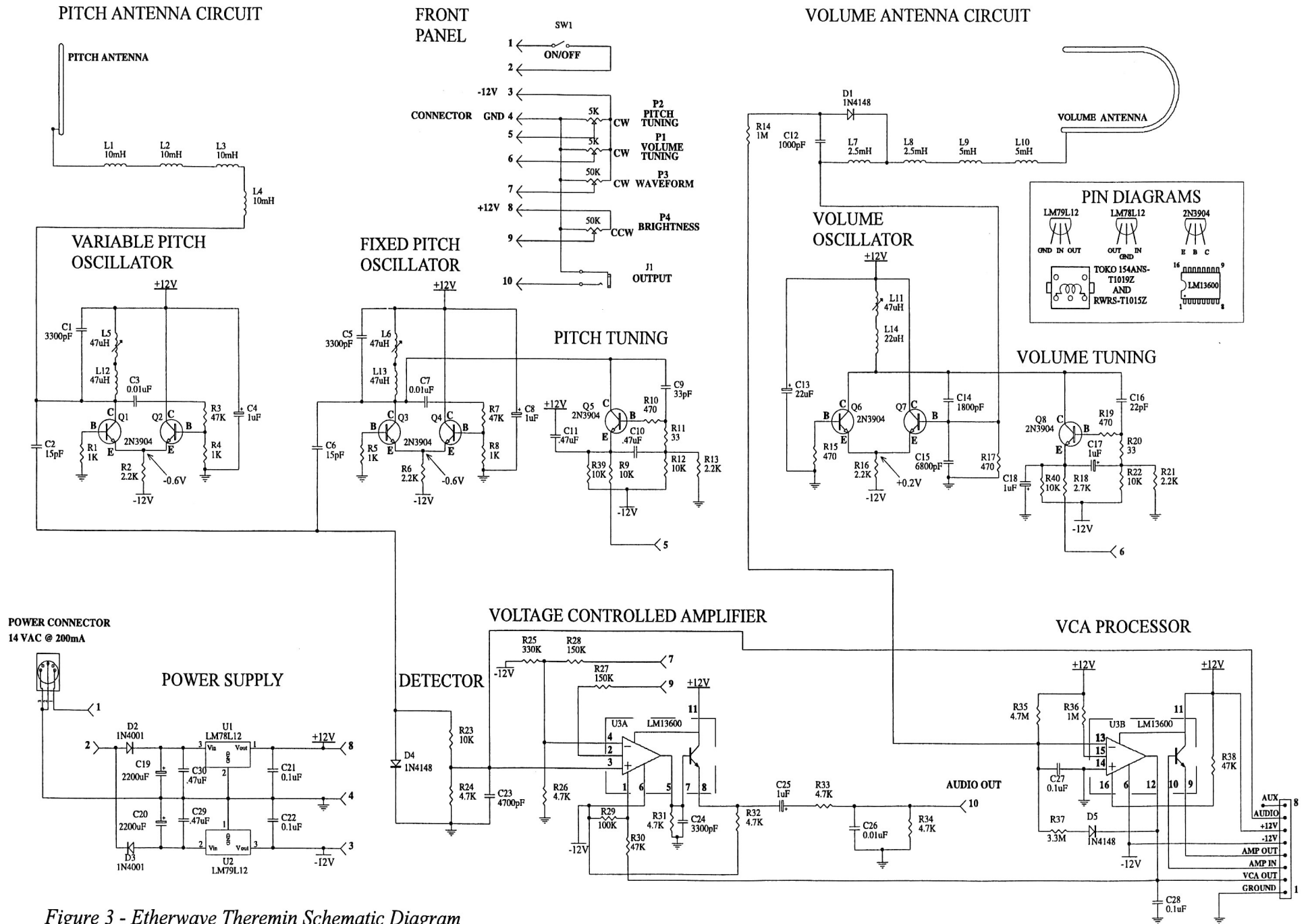


Figure 3 - Etherwave Theremin Schematic Diagram